

## SARASATE TWIN

Product code DT. HIDE 2 (add suffix see below)

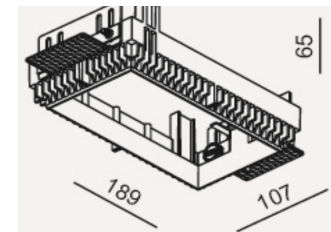
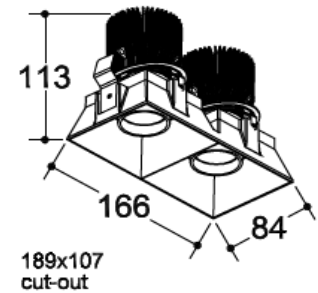
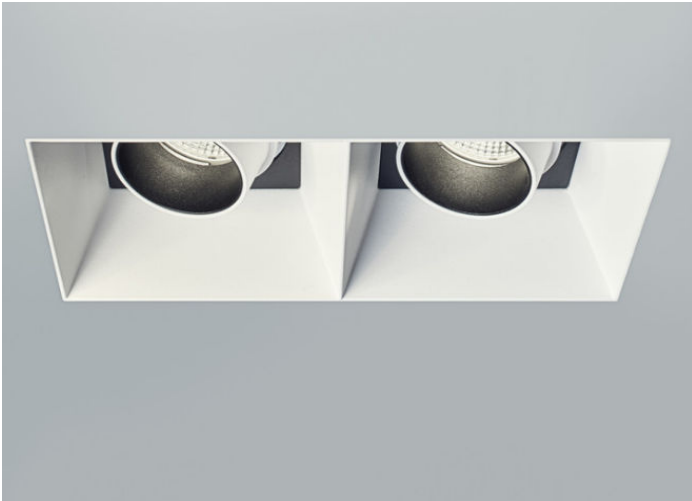
IP20 zone 3 **CE** **LED** IEE : A+ EN 60598.

DESCRIPTION / Rectangular LED Recessed adjustable downlight 25deg tilt. Dimmable

Dimensions (mm)  
h113 x 166 x 84

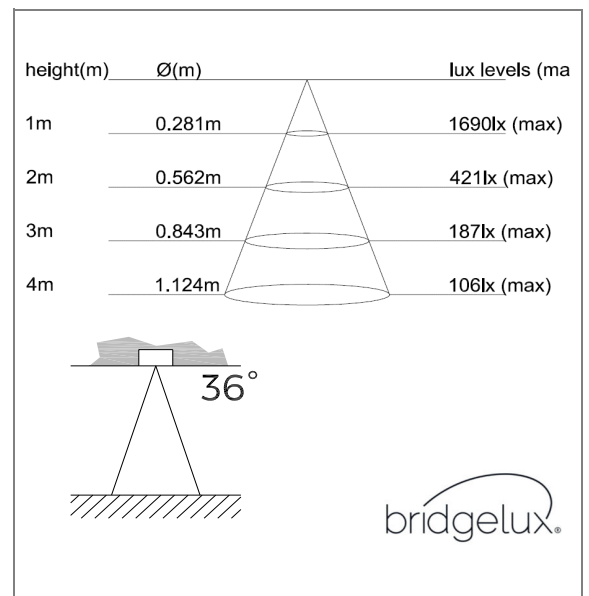
WHY USE THIS: Contemporary look, set-back LED. Trimless with good output. Sufficient angle of tilt. Suitable for all general downlight applications

Cut-out (mm)  
189 x 107

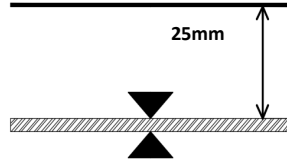


<b>material light fixture</b>	Die Cast Aluminium
<b>colours &amp; finish/ (suffix)</b>	White - 11 or -RAL xxxx
<b>light source &amp; voltage options</b> (PLEASE CONTACT US FOR ALTERNATIVE SOURCES)	a) 2 x10w LED 36 deg (1500 lms) 500 mA 18.5v b) c) d)
<b>colour temperature /(suffix)</b>	<b>2700K / 3000K</b>
<b>CRI (colour render) /(suffix)</b>	90+
<b>MacAdam</b>	<3
<b>Controls options /(suffix)</b>	Phase Dimming DALI 0-10v
<b>Optional Accessories</b>	Firehood
<b>AV. Weight (kg)</b>	1.5
<b>Emergency Available?</b>	Yes
<b>Special Notes</b>	Supplied with 1st fix frame for trimless finish. Remote 3-hour emergency pack available on request.

### technical performance

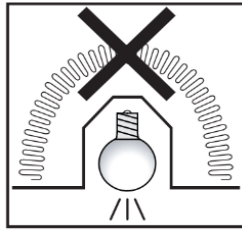


# INSTALLATION



## TECH NOTES:

Allow minimum free space of 20mm - 25mm above fixture.  
For minimum height see above specification sheet.

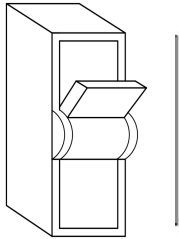


## WARNINGS:

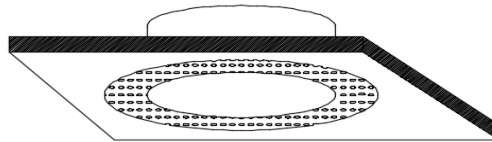
Do not cover top of fitting with insulation, as doing so will cause fitting to overheat substantially compromising its life span.

Always be aware of any heating or hot water pipes which may cause ambient temperature to exceed 40°C

**1** Turn off power!



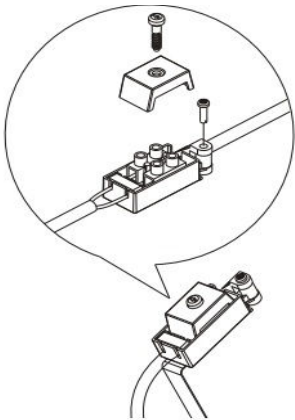
**2** Screw plaster-in ring into ceiling ensuring screws are below level of plaster.



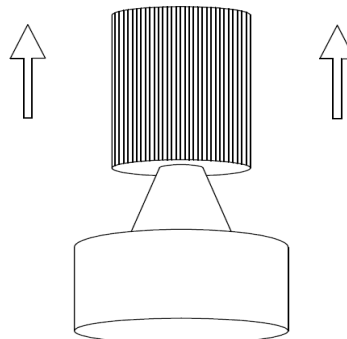
1) Always ensure power is isolated prior to undertaking any electrical work.

2) cut hole in ceiling to size specified for the plaster in ring. Plaster in fittings require the frame to be screwed into the ceiling, and a plaster skim up to the edge of the opening.

**3** Make electrical connections as necessary. If light source requires driver pass it through into void at this stage



**4** Push fitting up into ring. Fitting will click securely into place.



3) make electrical connections as necessary, pass driver through ring into ceiling void at this time.

4) push fitting into the outer ring. When installed fitting should be retained with a secure click. For wall washing ensure unit is fitted to allow maximum tilt and ensure adequate clearance to any joists or obstructions.