

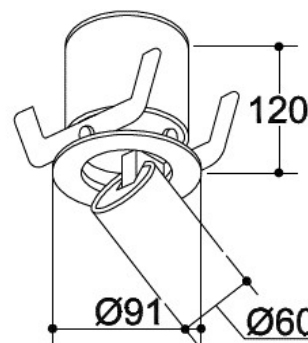
Issue:
Jul-18

Maverick Recess Product Code GT.Maverick S 60 HIDE (add suffix see below)

IP20 Zone 2 **CE LED** IEE : A+ EN 60598.

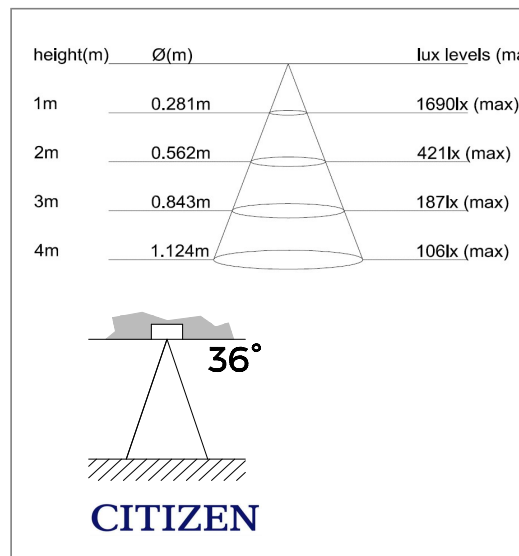
DESCRIPTION / Circular LED Recessed trimless downlight. Remote driver. Adjustable 90deg tilt & 350deg rotation, (Tuneable dim to warm option)
WHY USE THIS: Contemporary look, set-back LED. Full adjustability with good output. Excellent angle of tilt. Suitable for all general downlight applications

Dimensions (mm)
h120 x 91
Cut-out (mm)
79

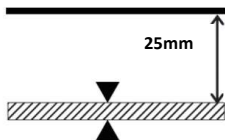
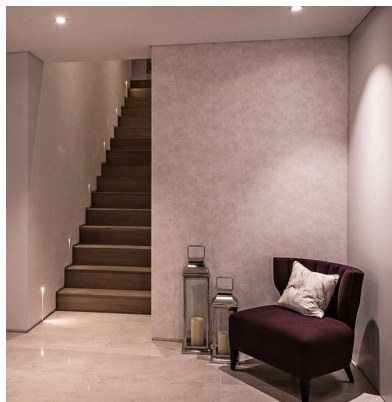


material light fixture	Die Cast Aluminium
colours & finish/ (suffix)	White - 11 or -RAL xxxx
light source & voltage options (PLEASE CONTACT US FOR ALTERNATIVE SOURCES)	a) 9w LED 36deg (930 lms) 500mA 18v b) c) d)
colour temperature /(suffix) CRI (colour render) /(suffix) MacAdam	2700K / 3000K / 4000K; (TUNEABLE DIM TO WARM OPTION) 83 90+ <3
Controls options /(suffix)	Phase Dimming DALI 0-10v
Optional Accessories	Supplied with honeycomb. Beam angles 24 / 36 / 48 deg
AV. Weight (kg)	0.3
Emergency Available?	Yes
Special Notes	Supplied with remote driver

technical performance

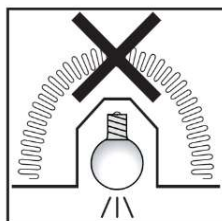


INSTALLATION



TECH NOTES:

Allow minimum free space of 20mm - 25mm above fixture.
For minimum height see above specification sheet.



WARNINGS:

Do not cover top of fitting with insulation, as doing so will cause fitting to overheat substantially compromising its life span. Always be aware of any heating or hot water pipes which may cause ambient temperature to exceed 40°C

