

Anigma twin directional GT.1274

CE IP20
IP44 CRI>90 3
SDCM

Description

Rectangular trim recessed down-light dimmable. Adjustable 30° tilt, 350° rotation. IP20 / IP44
Compact dimensions; Highest colour rendering. Supplied with remote dimming driver.
Accessories p.2

Materials

Aluminium body, internal components

Colour finish

WHITE RAL9003, custom RAL to order

Dimensions (mm) 92 x 167 (h129 max.) cut-out 82 x 155

Weight (KG) 0.75


Light Source

9w LED (860 lms nom.) 200 mA 45v 18° 24° 40° 60°

11w LED (975 lms nom.) 250 mA 44v 18° 24° 40° 60°

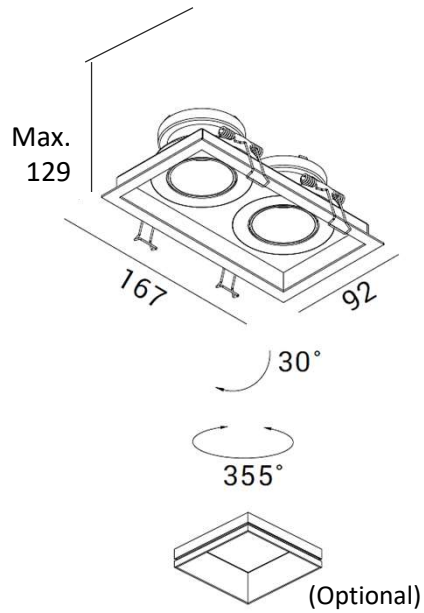
GU10 6.5w LED (560 lms nom.) 240v 12°, 24°-36° 50°

2700K / 3000K / 4000K / WARM-DIM

Dimming: Phase, 0-10v & DALI. (remote), Casambi  allows dimming control of each fixture



Anigma twin directional



Accessories available to order

- Convex insert Bronze / Brass / Black-nickel
- IP44 glass
- Honeycomb

