

Wallux Surface mini

Description

Mini Square LED path light; low-glare. Fixed asymmetric 60° beam fixed. IP65 dimmable with remote driver. Also available with integral on/off driver. Supplied with fixing box when installed externally.

Select version with built-in driver (240v on/off) or remote dimming driver (parallel 24v DC)

Materials Stainless 316, back-box injection moulded

Colour finish White RAL9003 Black RAL9005, custom RAL to order


Dimensions (mm) 70 x 70 x 72 (d)

Weight (KG) 0.2

Light Source

2w LED (100 lms) Osram 2835 SMD 24v DC UGR19

CCT available 2700K / 3000K

Dimming Phase, 0-10v, DALI (remote). Casambi  allows dimming control of each fixture

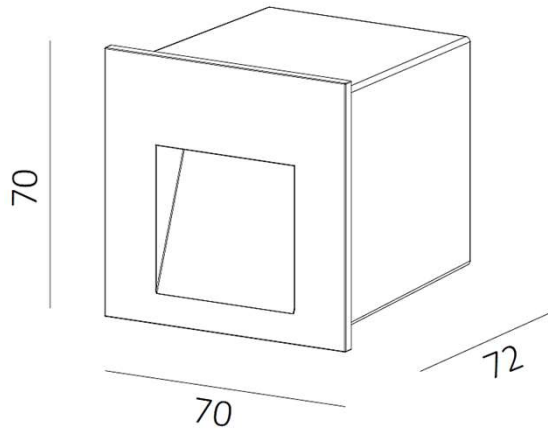
Special Notes

Select version with built-in driver (240v on/off) or remote dimming driver (parallel 24v DC)

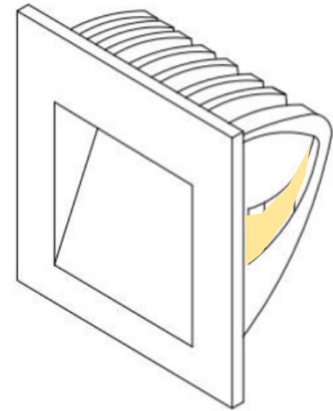


Wallux Surface mini

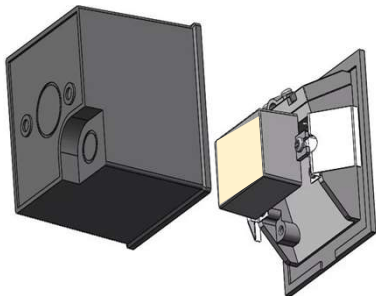
Back-box 65 x 65 mm cut-out



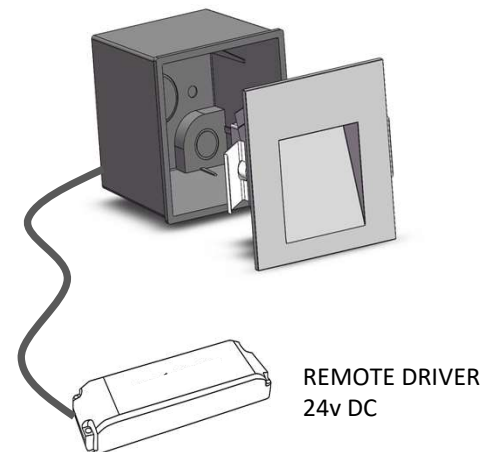
Plasterboard fixing with spring
(remote driver)



A.
OUTDOOR FIXING BOX FOR MASONRY WALLS
WITH (ON/OFF BUILT-IN DRIVER)



B.
OUTDOOR FIXING BOX FOR MASONRY WALLS
WITH REMOTE DIMMABLE DRIVER



- Constant Voltage DC fittings must be wired in parallel.
- **SET DRIVER TO CORRECT OUTPUT**
- Use flex from driver to fitting
- Dirt or grit on the gasket may cause luminaire to leak