

Volans LEDline 24v DC Code : GT.LEDline 1010

CE **IP68** CRI>93 <sup>3</sup>SDCM

### Description

Sealed linear flexi LED. IP68 made to measure. UV and chemical resistant. Suitable for indoor / outdoor applications. Innovative projection top & sides. UPTO 12m IN ONE RUN available.

**Materials** PCB in Polyurethane encapsulation

**Colour finish** clear

**Dimensions (mm)** 10x10mm without clips

**Weight (KG)** 50g/m

### Light Source

Option A. 10w LED (800 lms. nom.)	white	200°	2700K / 3000K / 4000K
Option B. 10w LED (890 lms. nom.)	tuneable	200°	tuneable 2700K-5500K
Option C. 10w LED (280 lms./colour nom.)	RGB	200°	RGB

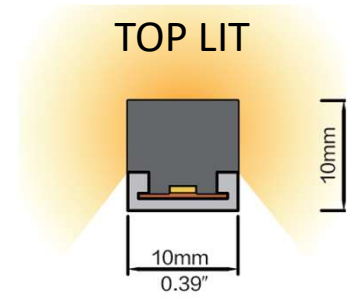
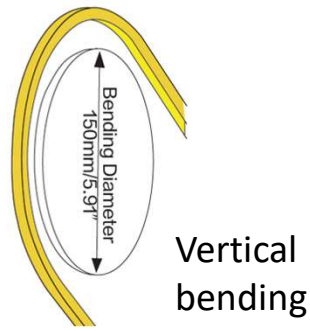
**Dimming** Mains, 0-10v or DALI, Casambi  dimming control (remote)

### Special Notes

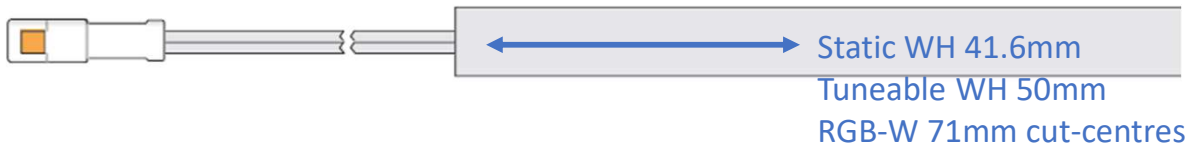
41.6mm cutting intervals see p.2 for further details

No IK rating see p.2 for walk-over profile





14m (FED ONE END) seamless butted together plug & play from one driver



Factory sealed (seamless connections)



Front feed



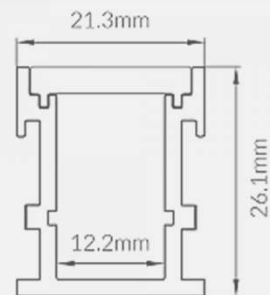
Side feed



Bottom feed



OUTDOOR  
WALK-OVER  
PROFILE





Aluminium Profile  
 Order Code: AC010-AP  
 Dimension: 1000x12.4x12.9mm/39.37"x0.49"x0.51"(LxWxH)  
 Material: aluminium  
 Color: silver



Mounting Clips  
 Order Code: AC005-SET  
 Dimension: 8x12.1x7.7mm/0.31"x0.48"x0.3"(LxWxH)  
 Material: stainless steel  
 Color: silver  
 Each meter of LED strip needs 3 clips + 3 screws + 2 end caps

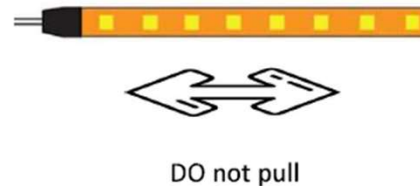
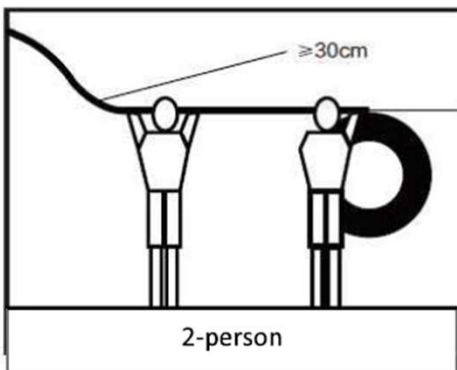


Holding Clips  
 Order Code: AC005-HC  
 Dimension: 28.6x10x12.5mm/1.13"x0.39"x0.49"(LxWxH)  
 Material: silicone  
 Color: opal  
 Each meter of LED strip needs 3 clips + 6 screws



IP67 Connector 2Pin  
 Order code: AD002-2  
 Wire gauge: 0.33mm<sup>2</sup>/22AWG  
 Protection: IP67(Mated)

## HANDLING INSTRUCTIONS



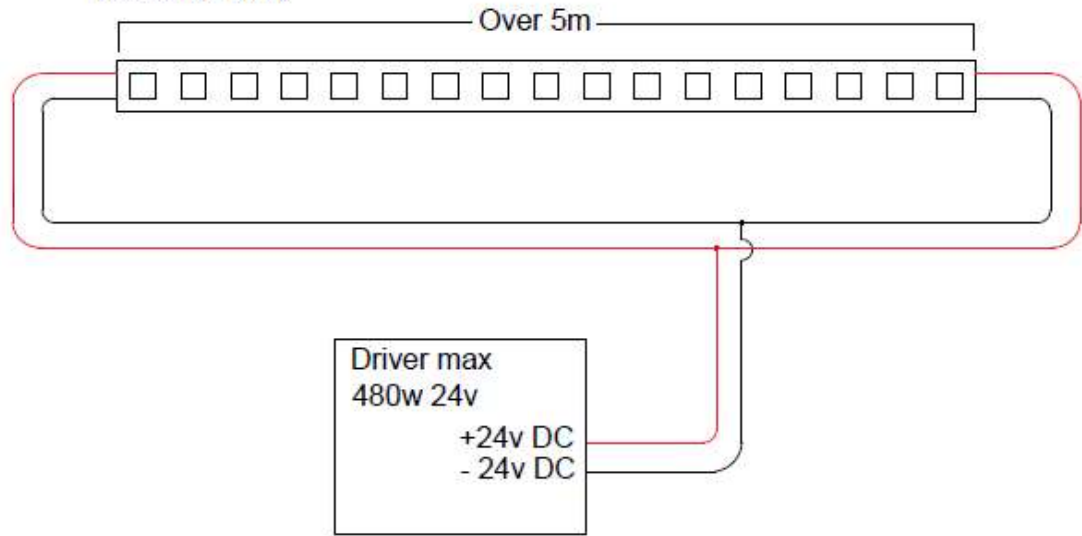
Do not allow the tape to sag or hang, as this can damage the electrical connections within it.

**Please observe the following points when installing LED tape. The reliability of the LED is directly related to the standard of installation.**

- 1) Ensure a suitable location is identified for the driver. It is advisable to use a driver with at least 25% more capacity (wattage) than the load it is driving. It is also advisable to locate the driver as close to the LED as reasonably possible.
- 2) LED tape is 'constant voltage' and as such is always wired in parallel.
- 3) For runs in excess of 5m in total, it is necessary to power the tape from both ends. (SEE BELOW DIAGRAM)
- 4) Keep all DC cables as short as practicably possible to avoid 'volt drop'.
- 5) **Do not hit or press the LED tape to avoid damage to the chips and current limiting resistors.**
- 6) Do not allow the tape to hang or sag, as strain can damage it. Tape should never be under stress or strain – never under tension.
- 7) Always mount the LED on a metallic surface to prevent overheating. Ensure the mounting surface is clean and free of grease, oil and contamination.
- 8) Never bend, crease or fold the LED tape – doing so can cause 'dark spots' between cut points.
- 9) If the LED is being mounted in a damp location, ensure IP rated connections are used – we recommend gel filled connectors.
- 10) If the driver has an earth wire or terminal, this must be used.

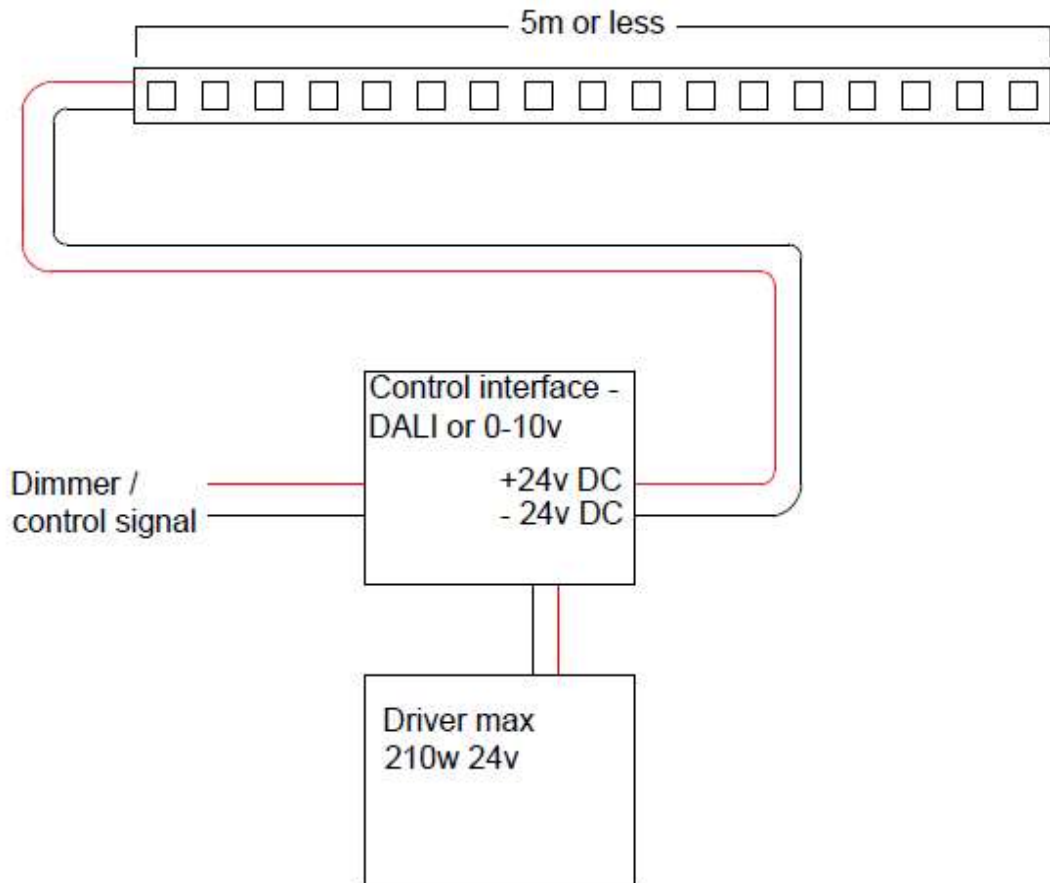
## MAINS DIM STATIC COLOUR

If LED strip is greater than 5m then circuit must be wired as a ring. Drivers can be mounted up to 20m away, provided the above is respected and 1.5mm cable used from the driver to the LED strip. In cases of drivers mounted over 10m from strip a bench test is recommended.



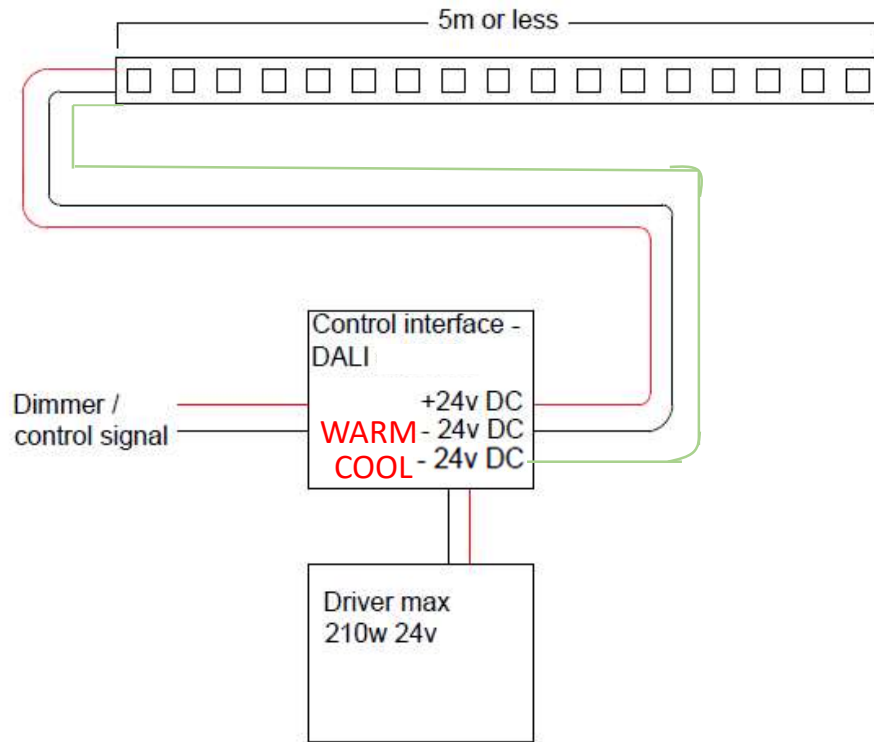
## L.V / DALI DIM STATIC COLOUR

This circuit is the standard layout for LED strip of 5m or less. for 5.1m - 10m strip should be fed from both ends (separate diagram available)



## TUNEABLE DIM

This circuit is the standard layout for LED strip of 5m or less. for 5.1m - 10m strip should be fed from both ends (separate diagram available)



## RGB DIM

If LED strip is greater than 5m then circuit must be wired as a ring. Drivers can be mounted up to 20m away, provided the above is respected and 1.5mm cable used from the driver to the LED strip. In cases of drivers mounted over 10m from strip a bench test is recommended.

