

Volans LEDline 24v DC Code : GT.LEDline 1615



Description

Sealed linear flexi LED. IP68 made to measure. UV and chemical resistant. Suitable for indoor / outdoor applications. UPTO 14m IN ONE RUN available. IK08

Materials PCB in Polyurethane encapsulation

Colour finish clear

Dimensions (mm) 16x15mm without clips **Weight (KG)** 50g/m

Light Source

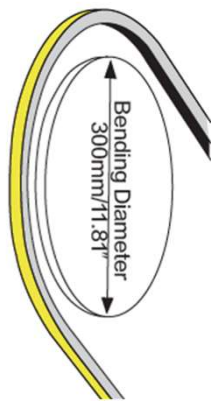
Option A. 15w LED (930 lms. nom.)	white	120°	2700K / 3000K / 4000K
Option B. 15w LED (1000 lms. nom.)	tuneable	120°	tuneable 2700K-5500K
Option C. 15w LED (300 lms/colour nom.)	RGB-W	120°	RGB-W

Dimming Mains, 0-10v or DALI, Casambi  dimming control (remote)

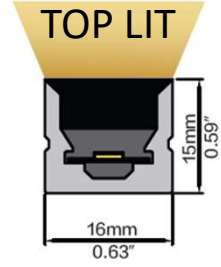
Special Notes

41.6mm cutting intervals see p.2 for further details

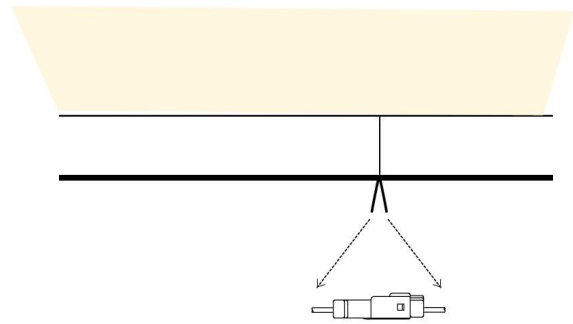
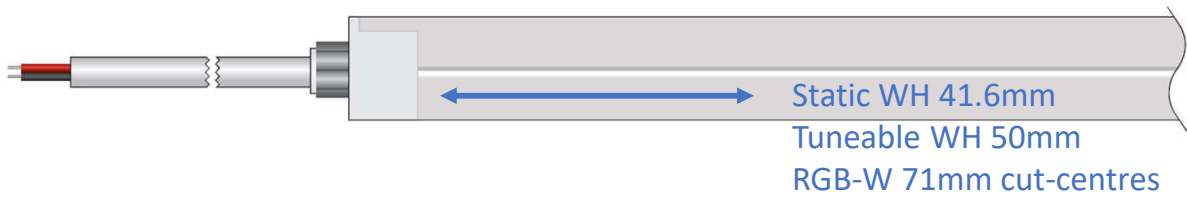




Vertical bending



14m (FED ONE END) seamless butted together each length wired to driver



Factory sealed (seamless connections)

Seamless Connection



Front feed



Side feed



Bottom feed



Aluminium Profile
 Order Code: AC011-AP
 Dimension: 1000x18.6x17.8mm/39.37"x0.73"x0.70" (LxWxH)
 Material: aluminium
 Color: silver



Mounting Clips
 Order Code: AC008-SET
 Dimension: 15x18.2x10.1mm/0.59"x0.72"x0.4" (LxWxH)
 Material: stainless steel
 Color: silver
 Each meter of LED strip needs 3 clips + 3 screws + 2 end caps

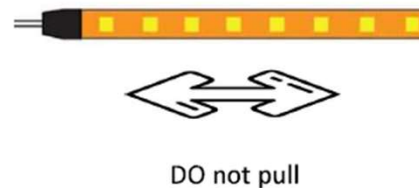
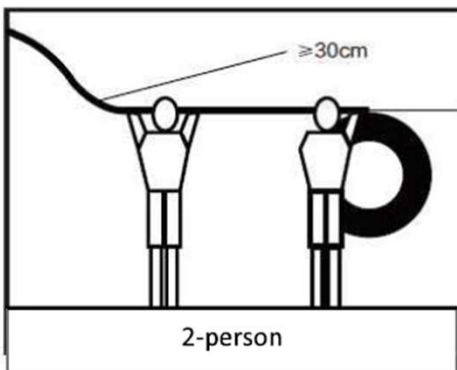


IP68 Extention Connector - RGBW
 Order Code: AD005-5-1M
 Description: IP68 Male and Female connector with 1M cable
 Wire gauge: 1mm²/18AWG
 Material of housing: PA



Holding Clips
 Order Code: AC008-HC
 Dimension: 34.6x10x16.5mm/1.36"x0.39"x0.65" (LxWxH)
 Material: silicone
 Color: opal
 Each meter of LED strip needs 3 clips + 6 screws

HANDLING INSTRUCTIONS



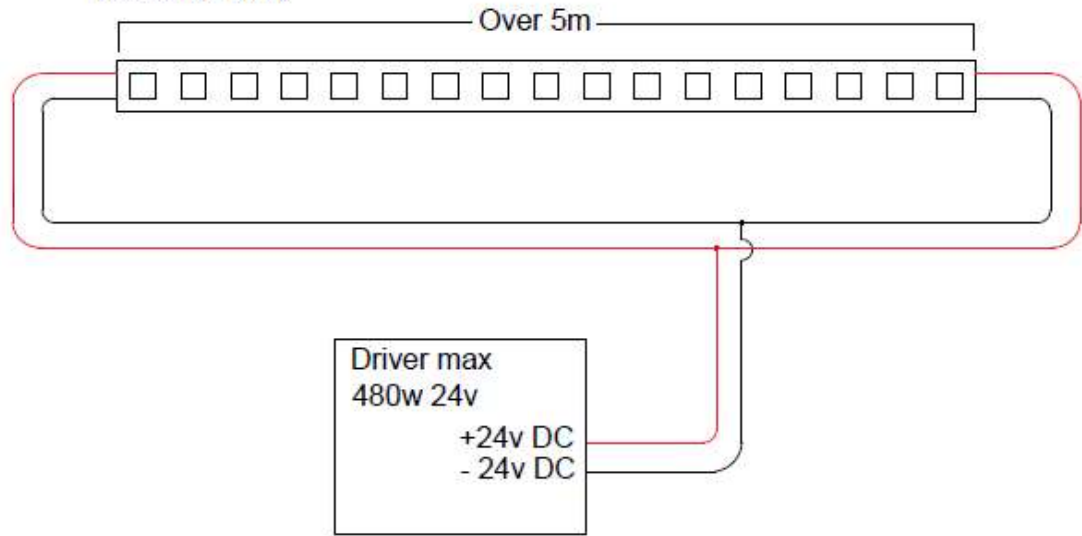
Do not allow the tape to sag or hang, as this can damage the electrical connections within it.

Please observe the following points when installing LED tape. The reliability of the LED is directly related to the standard of installation.

- 1) Ensure a suitable location is identified for the driver. It is advisable to use a driver with at least 25% more capacity (wattage) than the load it is driving. It is also advisable to locate the driver as close to the LED as reasonably possible.
- 2) LED tape is 'constant voltage' and as such is always wired in parallel.
- 3) For runs in excess of 5m in total, it is necessary to power the tape from both ends. (SEE BELOW DIAGRAM)
- 4) Keep all DC cables as short as practicably possible to avoid 'volt drop'.
- 5) **Do not hit or press the LED tape to avoid damage to the chips and current limiting resistors.**
- 6) Do not allow the tape to hang or sag, as strain can damage it. Tape should never be under stress or strain – never under tension.
- 7) Always mount the LED on a metallic surface to prevent overheating. Ensure the mounting surface is clean and free of grease, oil and contamination.
- 8) Never bend, crease or fold the LED tape – doing so can cause 'dark spots' between cut points.
- 9) If the LED is being mounted in a damp location, ensure IP rated connections are used – we recommend gel filled connectors.
- 10) If the driver has an earth wire or terminal, this must be used.

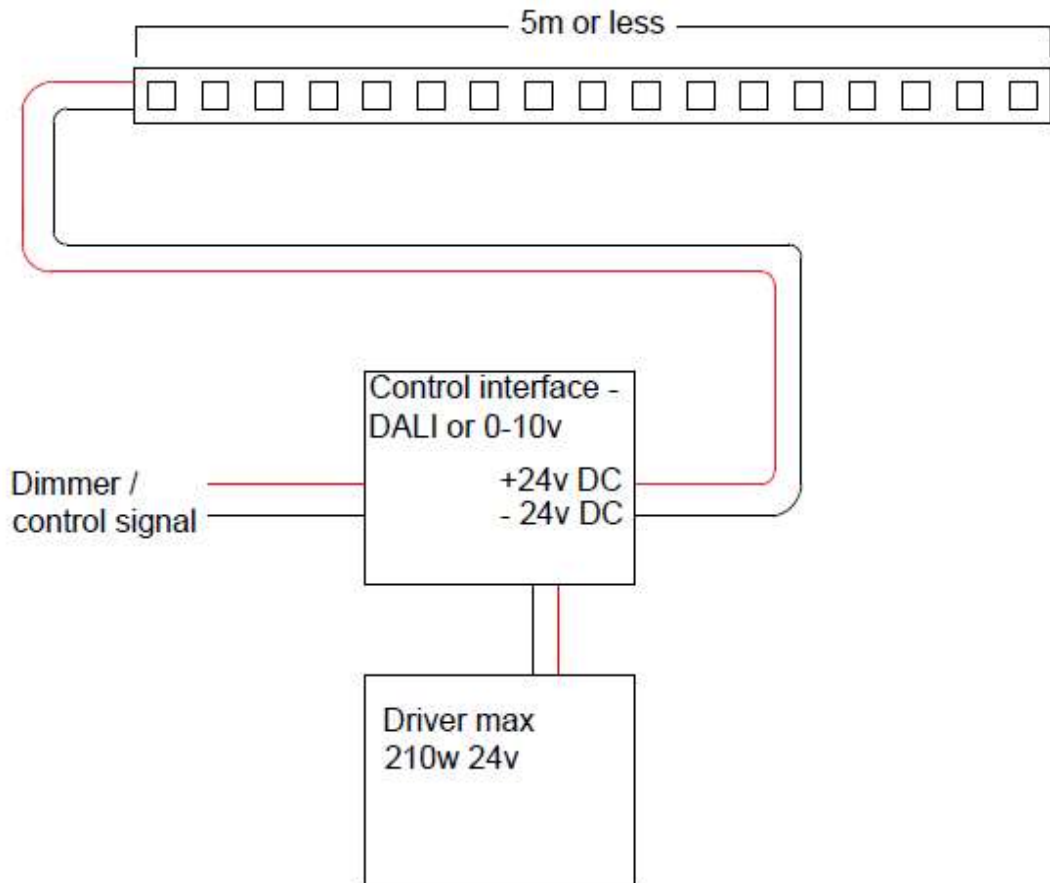
MAINS DIM STATIC COLOUR

If LED strip is greater than 5m then circuit must be wired as a ring. Drivers can be mounted up to 20m away, provided the above is respected and 1.5mm cable used from the driver to the LED strip. In cases of drivers mounted over 10m from strip a bench test is recommended.



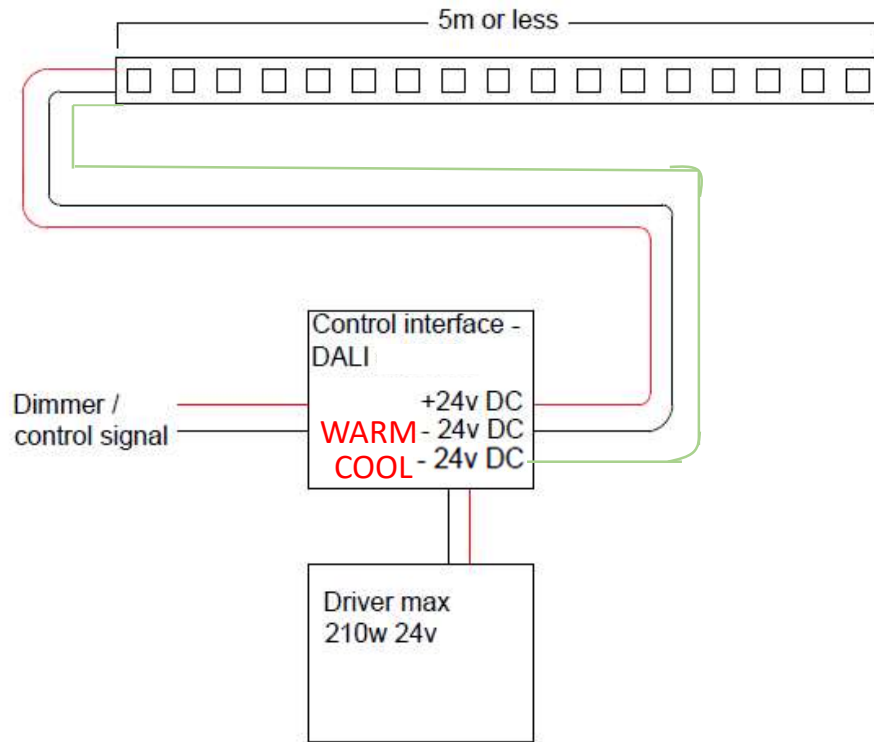
L.V / DALI DIM STATIC COLOUR

This circuit is the standard layout for LED strip of 5m or less. for 5.1m - 10m strip should be fed from both ends (separate diagram available)



TUNEABLE DIM

This circuit is the standard layout for LED strip of 5m or less. for 5.1m - 10m strip should be fed from both ends (separate diagram available)



RGB DIM

If LED strip is greater than 5m then circuit must be wired as a ring. Drivers can be mounted up to 20m away, provided the above is respected and 1.5mm cable used from the driver to the LED strip. In cases of drivers mounted over 10m from strip a bench test is recommended.

